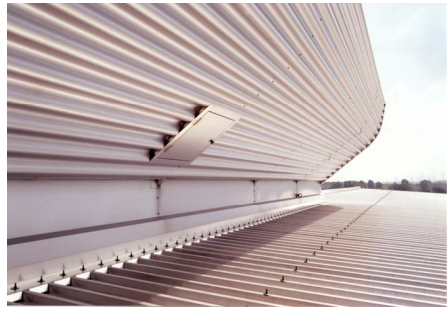
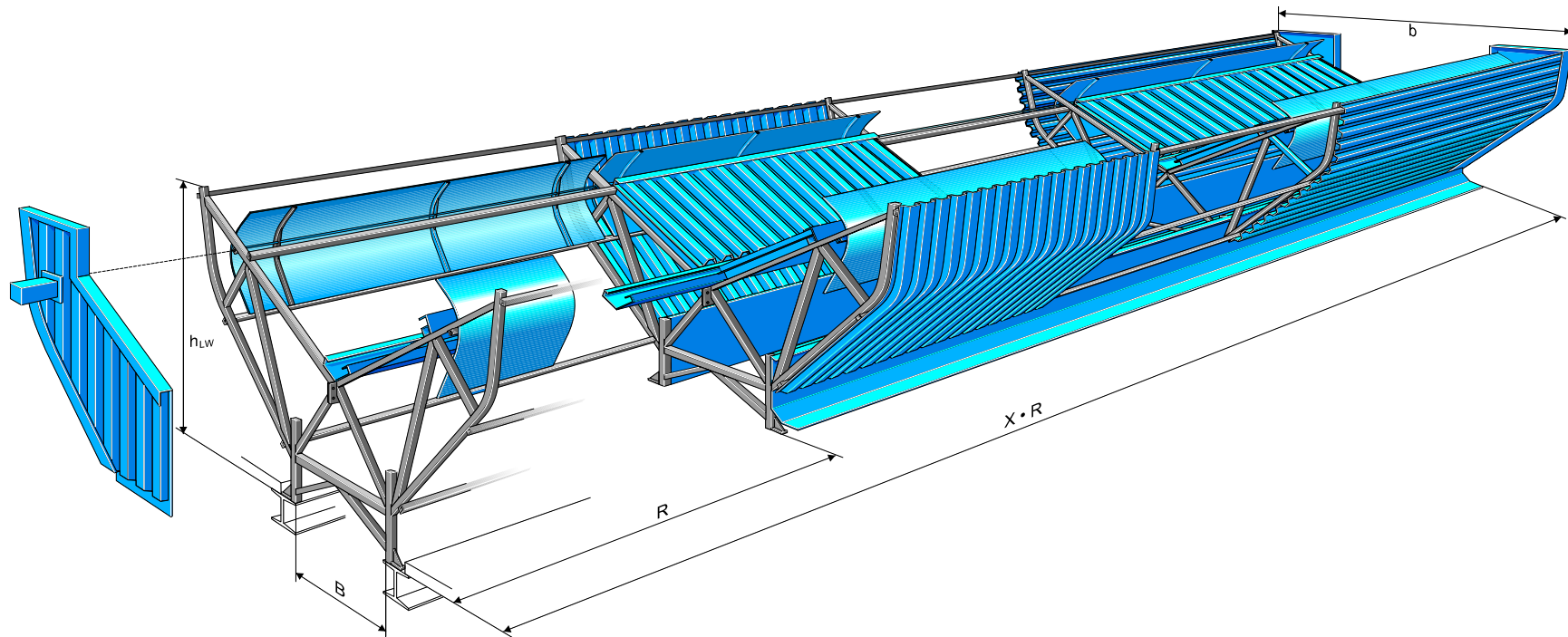


High-Performance Gravity Roof Ventilator Series RIF

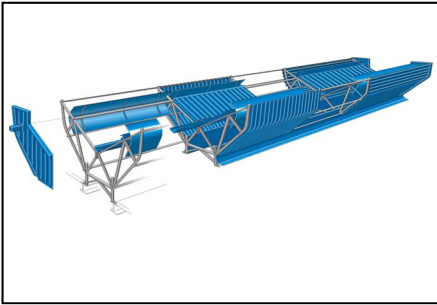


Overview

High-performance gravity roof ventilator for medium to high specific heat loads.
 Optionally available with integrated smoke/heat extraction function as per DIN and VDS (certified).



High-Performance Gravity Roof Ventilator Series RIF



Product Description

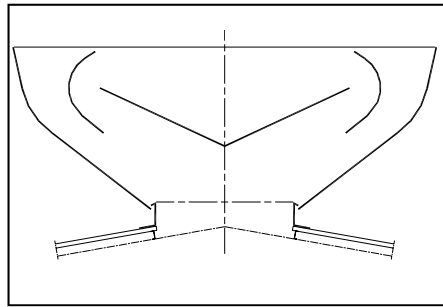
Series RIF - an innovative ventilation system that sets standards for the future

This high-performance gravity roof ventilator Series RIF is distinguished by the following features:

- The Series RIF roof gravity ventilator offers twice the capacity of conventional ventilators with the same constructional dimensions.
- The structural weight of the Series RIF gravity roof gravity ventilator has been reduced by approximately 30% through improved design loads which have been verified in wind tunnel tests.

The world's highest coefficient of discharge $C_{vo} = 0.78$ makes the Series RIF ventilator ideal for buildings with extreme heat loads resulting from technological processes.

High-Performance Gravity Roof Ventilator Series RIF

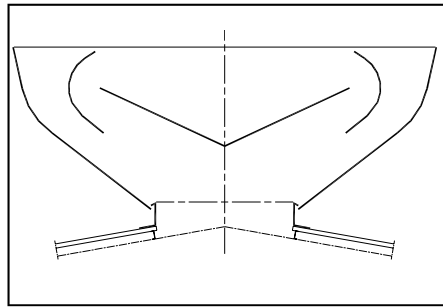


Dimensions and Weight Technical Data

Type	B (mm)	b (mm)	h _{LW} (mm)	R (mm)	R _w (dB) DIN 52210, Part 4	C _{v0} DIN 18232	Weight (Kg/m) Frames Aluminium Cladding Aluminium	Weight (Kg/m) Frames Steel Cladding Aluminium	Weight (Kg/m) Frames Steel Cladding Steel
1000	1000	3040	1500	max. 4500	10	0.78	30	58	75
1500	1500	4560	2200	max. 4500	10	0.78	43	86	112
2000	2000	6080	2900	max. 4500	9	0.78	60	114	148
2500	2500	7600	3600	max. 4500	9	0.78	N/A	186	242
3000	3000	9120	4300	max. 4500	9	0.78	N/A	276	358
4000	4000	12600	5500	max. 4500	9	0.78	N/A	380	490

Technical data for throat sizes above 4000 mm on request.

High-Performance Gravity Roof Ventilator Series RIF



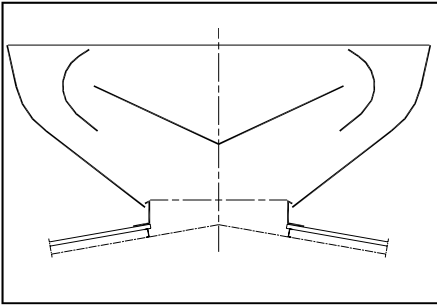
Material Specification Options

Material of cladding			Material of frame structure					
Galvanized steel sheet, coated	Aluminium, uncoated or coated	Plastic	Aluminium hollow sections		Steel			
			Uncoated	Coated	Hollow sections		Rolled sections	
					Galvanized	Galvanized and coated	Galvanized	Galvanized and coated
X	X	X	X	X	X	X	X	X

Operation of dampers				Options							
Manual		Pneumatic	Electric	Transparent roof	Trapezoidal sheets		Certified smoke extraction function	Bird screen	Pressure relief function for potentially explosive applications	Sealings	Ladder
Hand lever	Teleflex				Horizontal	Corrugated					
X	X	X	X	X	X	X	X	X	X	X	

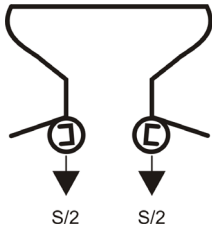
Specification of the coating system according to customer request and required corrosion protection.

High-Performance Gravity Roof Ventilator Series RIF

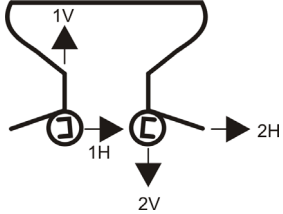


Wind and Snow Loads

Type	Snow loads S [kN] ($S_0 = 0.75 \text{ kN/m}^2$)
1000	3.09
1500	4.39
2000	5.68
2500	6.94
3000	8.21
4000	14.00



Type	Wind loads for buildings up to 100m height [kN]			
	1V	1H	2V	2H
1000	-10.21	-2.83	6.62	-3.11
1500	-15.32	-4.24	9.93	-4.66
2000	-20.42	-5.65	13.24	-6.21
2500	-25.53	-7.06	16.55	-7.76
3000	-30.63	-8.48	19.86	-9.32
4000	-34.55	-9.80	29.36	-12.96



Loads for buildings >100 m on request.